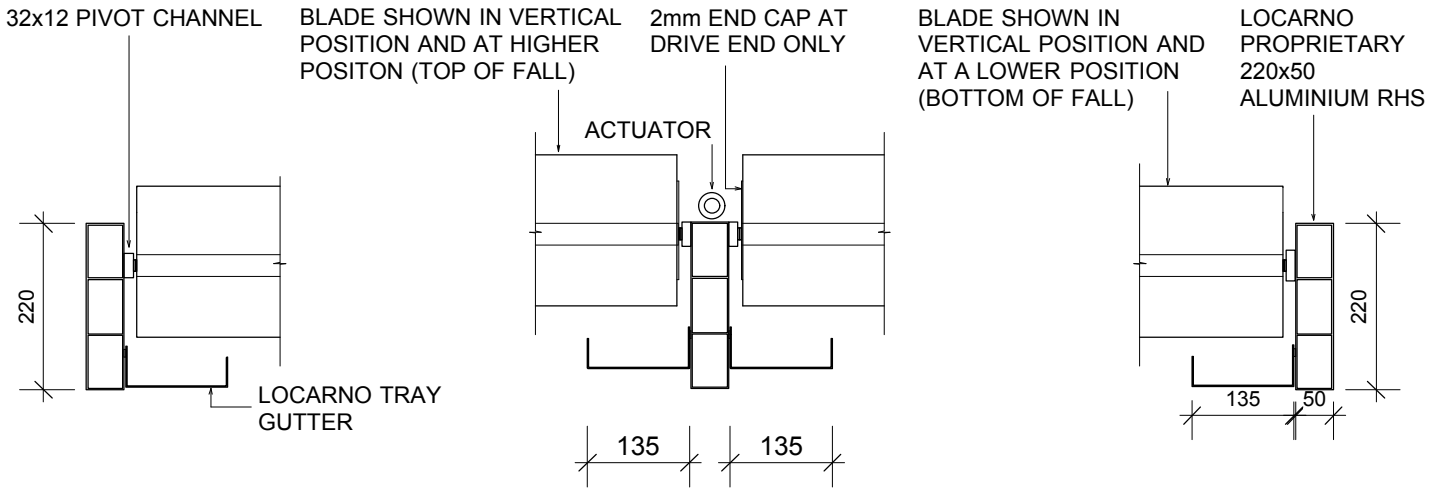
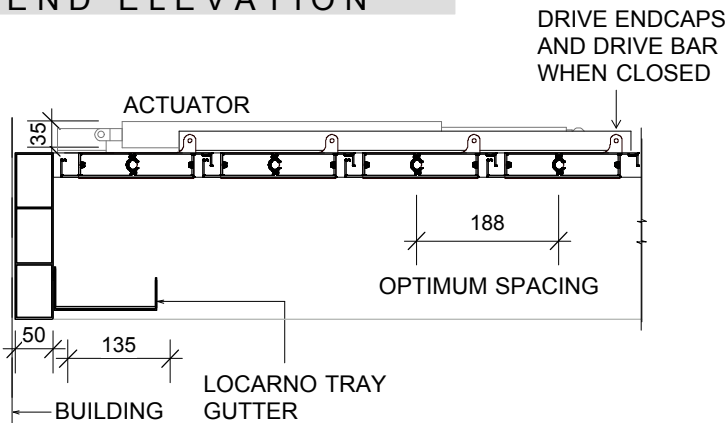


RLX200 >> DOUBLE BAY LOUVRE ROOF >> MOTORISED

SIDE ELEVATION



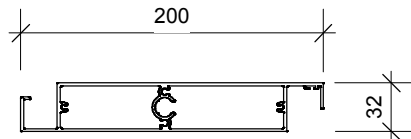
END ELEVATION



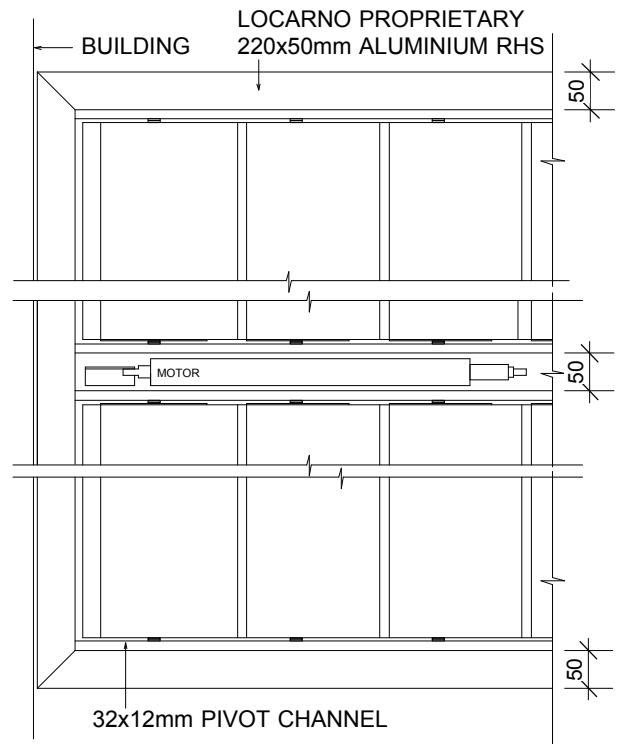
MINIMUM 12mm FALL IN BLADE PER METRE

MINIMUM OF 1.5mm FALL PER M OF GUTTER RUN

LOCARNO RLX200 Profile
Scale 1:5



PLAN



LOUVRES CAN BE ORIENTATED AT RIGHT ANGLES OR PARALLEL TO THE BUILDING



3.05

Scale : 1:10

Date Modified : 01.07.14

p +64 9 525 2525
e info@locarno.co.nz
www.locarno.co.nz

(c) LOCARNO LOUVRES 2014