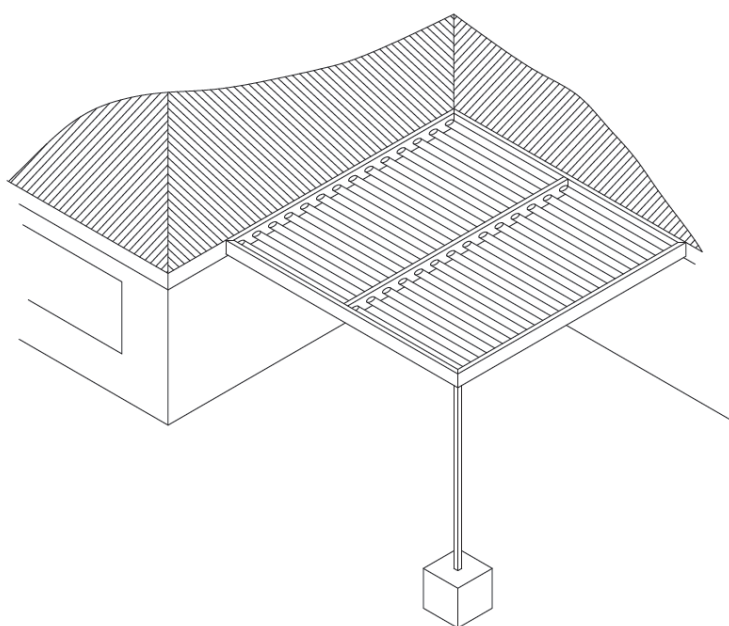




Unit 8, 357 Madras Street
 Christchurch, New Zealand
 P.O. Box 13-282
 Armagh, Christchurch 8141
 New Zealand
 Telephone (03) 366-4320
 Fax (03) 365-7069
 Email eng@lewisandbarrow.co.nz
 www.lewisandbarrow.co.nz

Locarno Canopy Footing Sizes In Metres



LOCARNO CANOPY FOOTING SIZES in metres

Area of Canopy Supported by Pad in metres	WIND LOADS			
	Light up to 32m/sec	Medium up to 37m/sec	High up to 44m/sec	Very High up to 50m/sec
2	0.30	0.32	0.36	0.40
4	0.35	0.40	0.45	0.50
6	0.41	0.48	0.55	0.62
8	0.47	0.54	0.63	0.70
10	0.51	0.59	0.70	0.75

1. Footings are square, depth same as width and height
2. Concrete pads have been designed to take 1kPa snow loads and various wind loads. The pads and columns must not be relied upon to take lateral loads due to wind or earthquake. This table requires that the building be firmly attached to a house or other structure which can be relied upon to take the lateral loading from the canopy, in a situation as depicted above.
3. Low, medium, high and very high wind speeds are determined for small buildings using N.Z.S. 3604: 2011. The 32m/sec, 37m/sec, 44m/sec and 50m/sec wind speeds are site wind speeds as defined by 1170:2002.