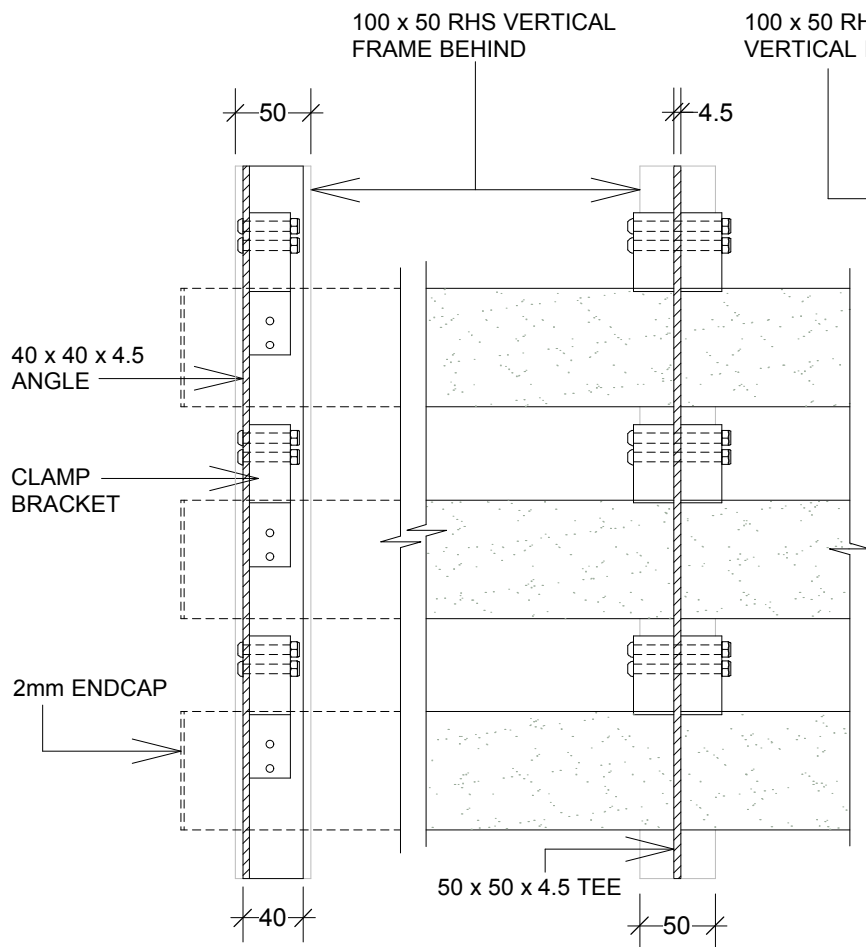
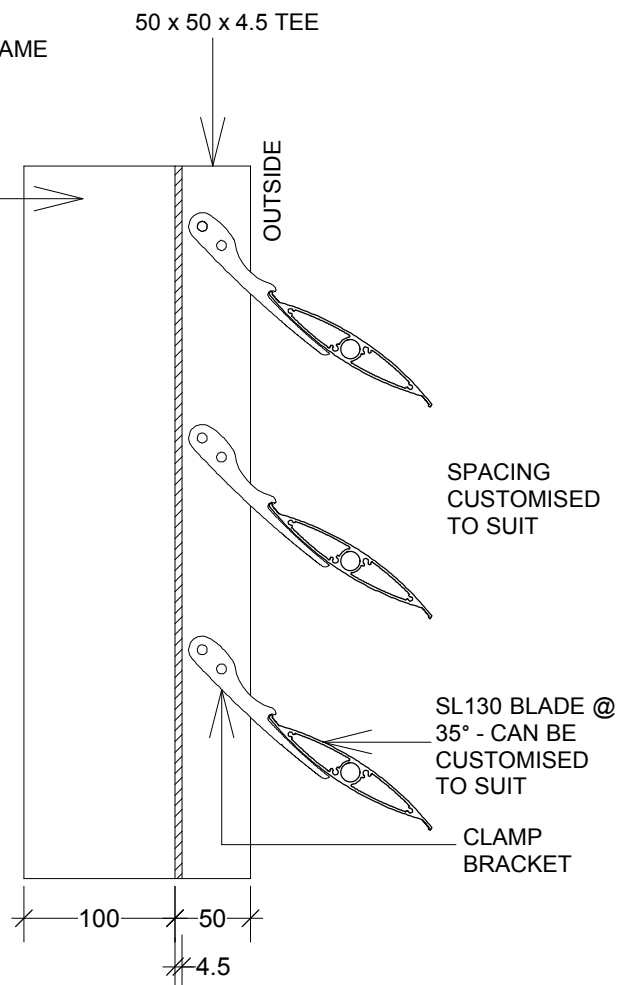


SL130 >> BRACKET FIXED

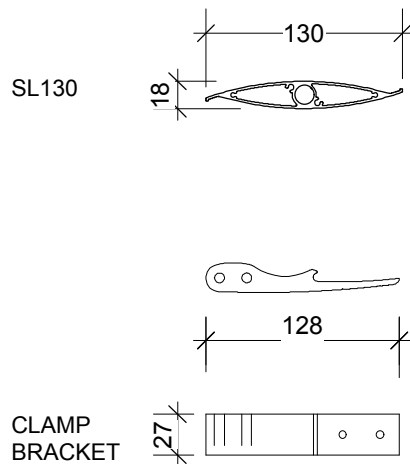
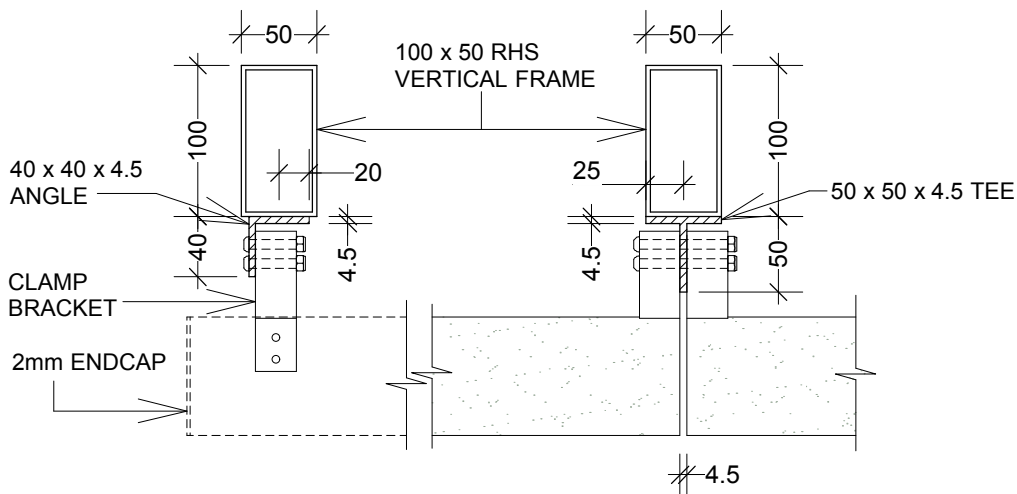
FRONT ELEVATION



SIDE SECTION



PLAN



EXPANSION JOINT DETAIL

BRACKET FIXED LOUVRES CAN ALSO BE CONFIGURED VERTICALLY OR OVERHEAD (NON-WEATHERTIGHT)