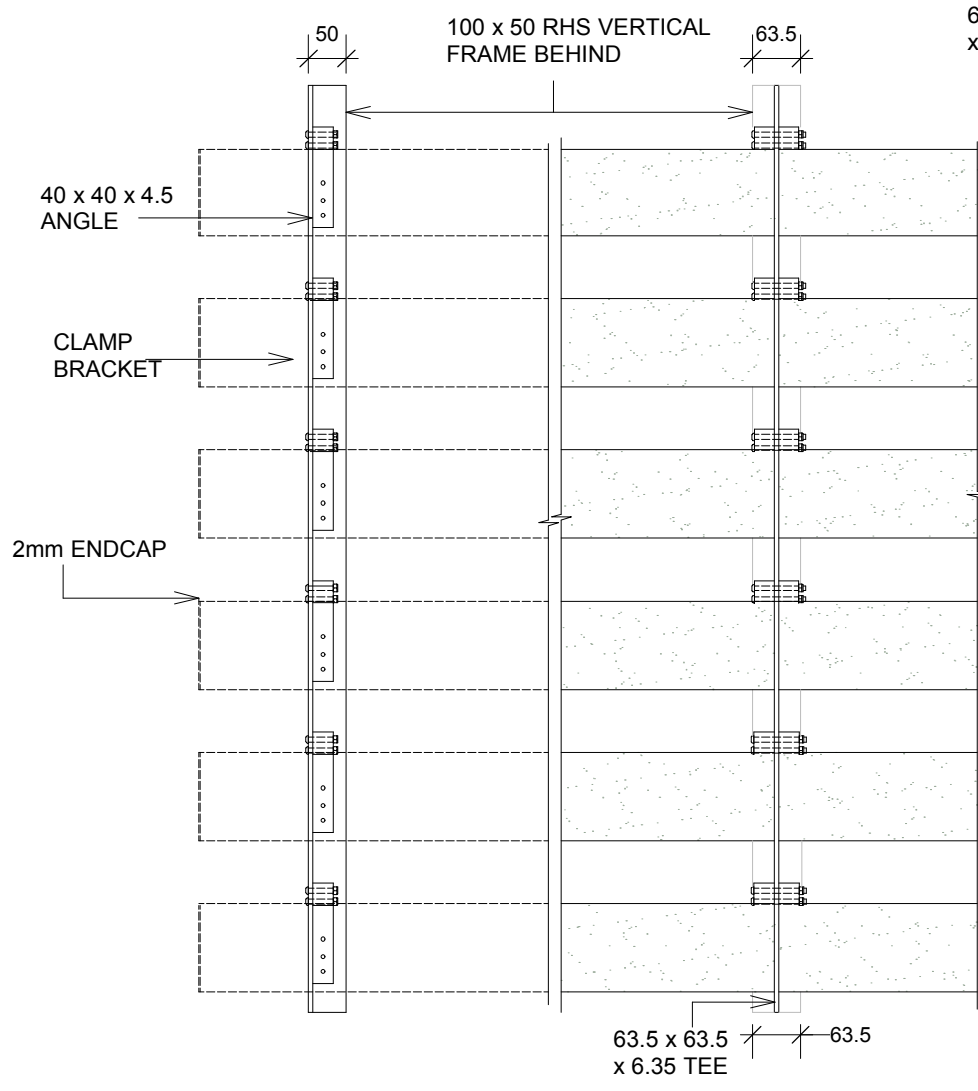
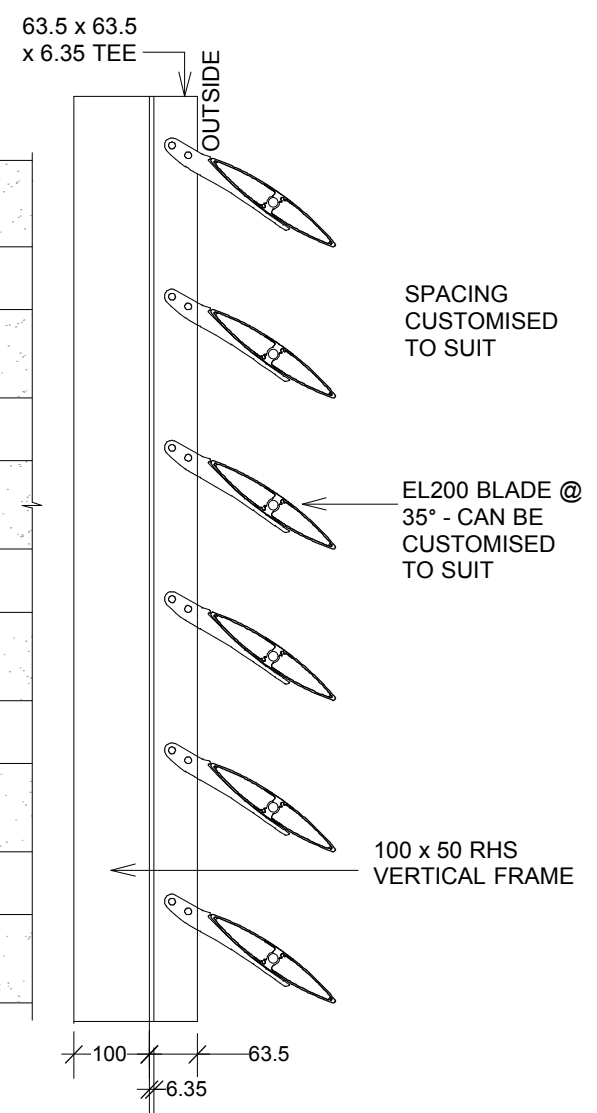


EL200 >> BRACKET FIXED

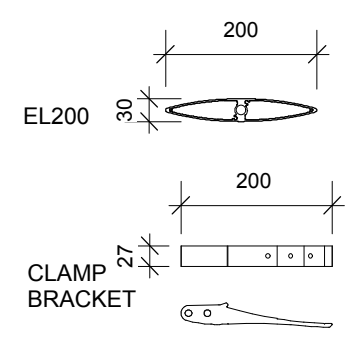
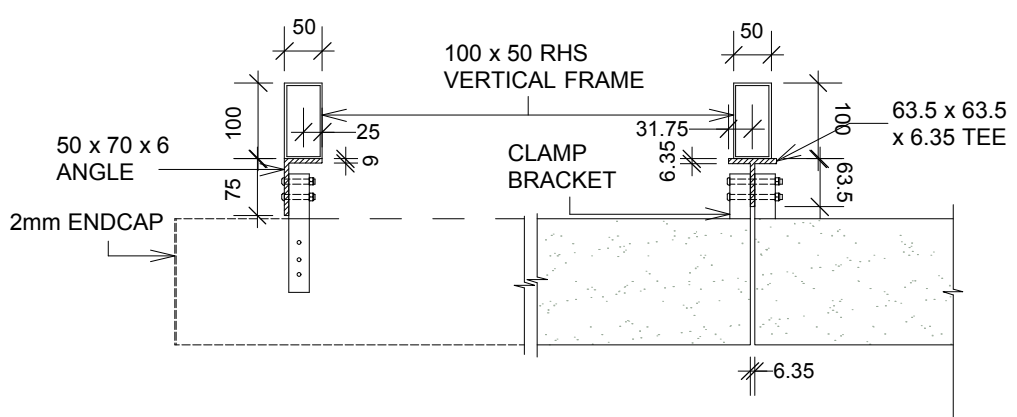
FRONT ELEVATION



SIDE SECTION



PLAN



EXPANSION JOINT DETAIL

BRACKET FIXED LOUVRES CAN ALSO BE CONFIGURED VERTICALLY OR OVERHEAD (NON-WEATHERTIGHT)



6.04

Scale : 1:10
Date Modified : 01.07.14

p +64 9 525 2525
e info@locarno.co.nz
www.locarno.co.nz
(c) LOCARNO LOUVRES 2014