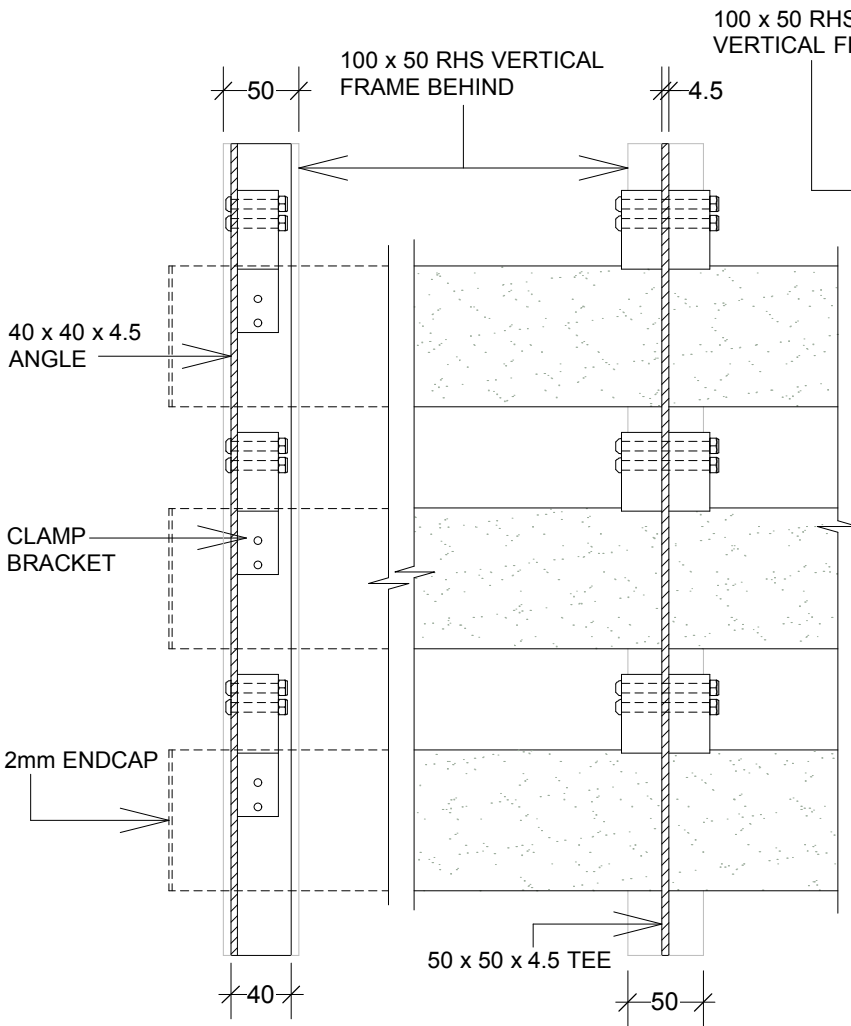
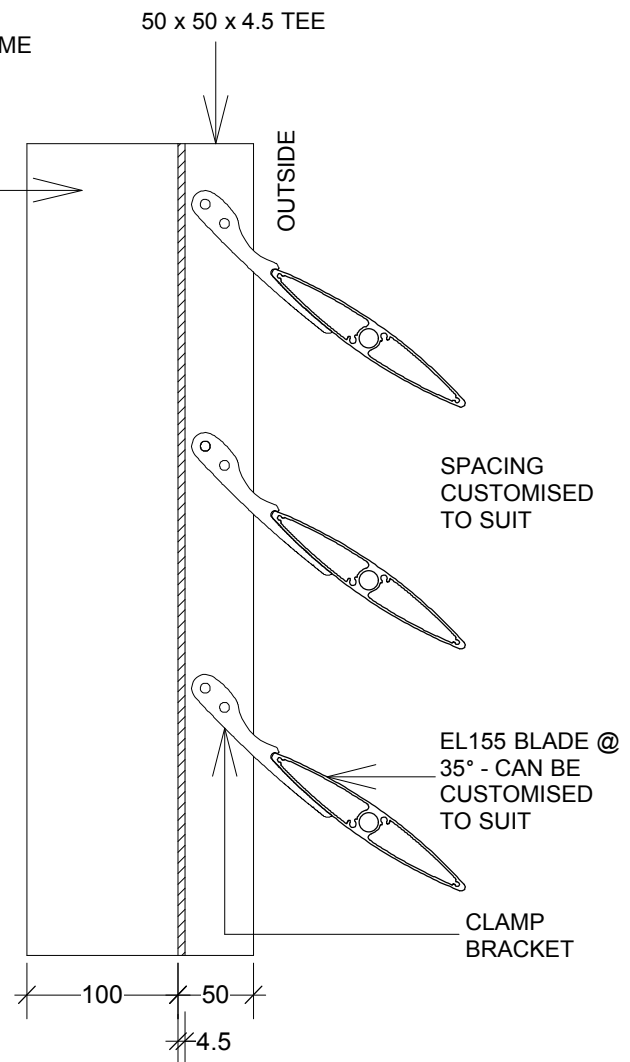


# EL155 >> BRACKET FIXED

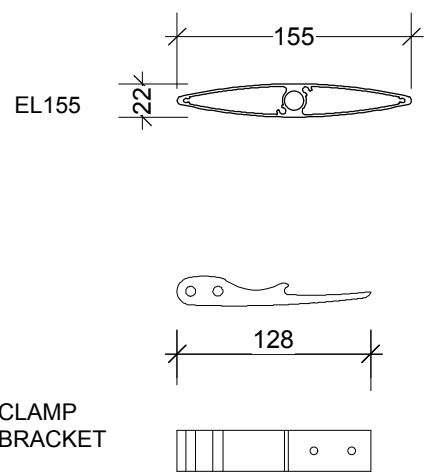
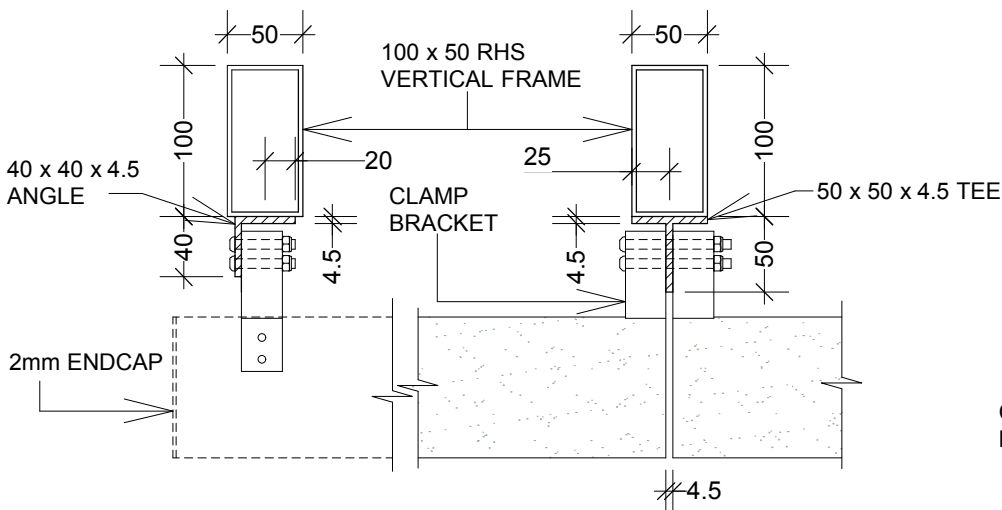
## FRONT ELEVATION



## SIDE SECTION



## PLAN



## EXPANSION JOINT DETAIL

BRACKET FIXED LOUVRES CAN ALSO BE CONFIGURED VERTICALLY OR OVERHEAD (NON-WEATHERTIGHT)